

AXOR Starck
Trio/ Quattro shut-off/ diverter valve for concealed installation
Surfaces: **Chrome** Article Number: **10930000**

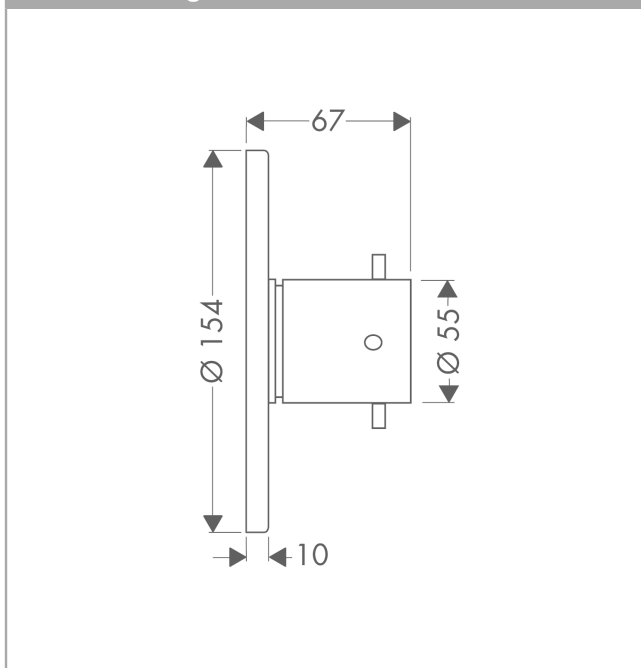


Description

Product image



Scale drawing

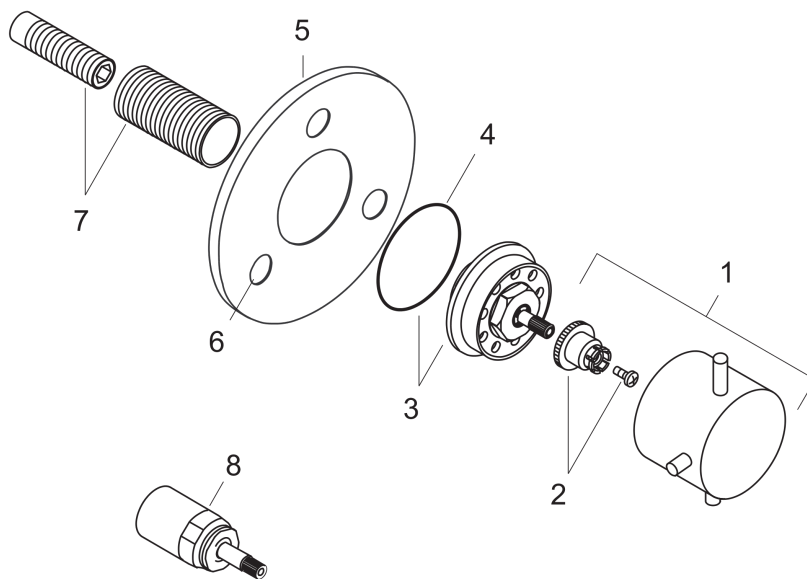


AXOR Starck
Trio/ Quattro shut-off/ diverter valve for concealed installation
Surfaces: **Chrome** Article Number: **10930000**



Exploded Drawing

Year of production: >04/01



AXOR Starck
Trio/ Quattro shut-off/ diverter valve for concealed installation
 Surfaces: **Chrome** Article Number: **10930000**



Spare part list

Year of production: >04/01

Pos.	Description	Article Number	PC	PU
1	handle	10993000	0	1
2	handle fixing set	94184000	0	1
3	nut	96489000	0	1
4	O-ring 57x2	98210000	0	1
5	escutcheon Ø 154 mm	94356000	0	1
6	stickers for symbols	97218610	0	1
7	fixing set	96392000	0	1
8	extension 25 mm	96370000	0	1
a	concealed item	15930180	0	1
b	concealed item	15981180	0	1