

# COLUMN CL35 VERTICAL SINGLE

The COLUMN CL35 models are radiators made of steel (with low carbon content) with flat elements perpendicular to the manifold, size 35x11 mm.

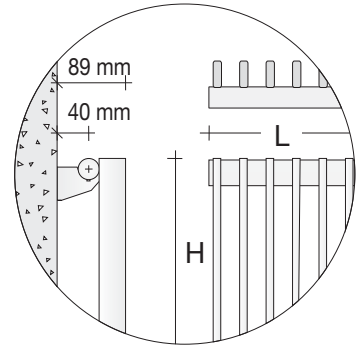


## ORDER EXAMPLE

To correctly order this model follow the example specified below:

<b>PRODUCT</b>	<b>CL35#200 018 L1D ST 9010</b>
CL35#200 018	Article code composed of Model, Height (200) and Number of elements (018)
L1D	Connector code found in the table here below
ST	Standard Support code found in the table here below
9010	Colour code found in the TUBES COLOUR CHART
<b>ACCESSORIES</b>	
Z1TLNR#AN R12 9010	Valve and Lockshield - Copper angle 1/2" for copper pipes or multi-layer pipes - White RAL 9010
Z1RAC#R12CRO	12mm diam. copper pipe unions for Valve+Lockshield - chrome finish (2)

For other types of Valves see the table below or those on pages 217 - 218 - 219 - 220.



## CONNECTORS

The radiators are always supplied "L1D" connectors as shown in the table here below.

If different connectors are required with strictly indicate this in the order. **IMPORTANT:** the connectors of towel warmers and radiators connected to the same system should all have the same configuration otherwise operating problems could occur.

### Standard connectors

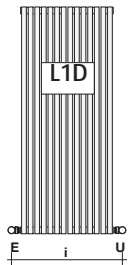
Will be supplied if not otherwise specified when placing the order

### Connectors on request

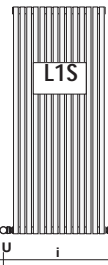
Supplied on request WITHOUT an additional price charge

### Custom-made connectors

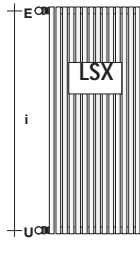
Supplied on request WITH an additional price charge of € (NOT available in chrome-plated version)



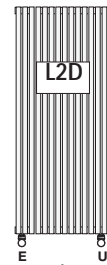
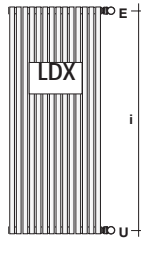
Inter-axis  
I=L+8,8 cm



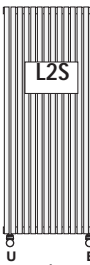
Inter-axis  
I=L+8,8 cm



Inter-axis  
I=H-4,0 cm



Inter-axis  
I=L-7,0 cm



E = Inlet (valve position)  
U = Outlet (lockshield position)  
I = Inter-axis between connectors

## SUPPORTS

The radiators are supplied with standard supports (code ST) that include the wall fixing shelves and the manual vent Valve.

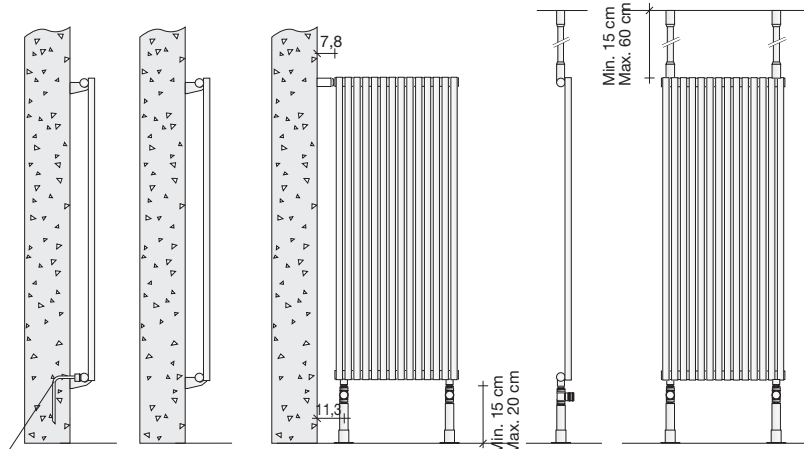
On request they can be ordered with bracket supports that are permanently welded on the towel warmers and therefore must be specified when placing the order, their code and cost are as follows:

code MD	WALL TYPE bracket support on the Right	€
code MS	WALL TYPE bracket support on the Left	€
code SO	CEILING TYPE bracket support	€

### LIMITS

WALL TYPE bracket support	Width max 45.5 cm
CEILING TYPE bracket support	Width max 59.5 cm

The Chrome plated version cannot be supplied with bracket supports



Connection to the Remote Valve Assembly (GVR) with connection B2R

Standard WALL type support (ST code)

WALL TYPE bracket support (MD code wall on right) (MS code wall on left)

CEILING TYPE bracket support (SO code)

## ADDITIONAL COLOUR CHARGE (see the official Tubes Colour Chart)

Additional colour charges are calculated over the Pure white price (Cat. C0), for the other categories the additional charges herein below are applicable:




Category C1 and C2 +10%

C3 Category +20%

RAL not included in the colour chart +30%

According to samples Request feasibility and cost estimate

## Standard VALVES (for Valves and Lockshields, valves that can be fitted with thermostat, Thermostatic valves, or Single pipe, Twin pipe, Stainless steel and thermostatic heads see pages 217 - 218 - 219 - 220)

code	Description	Price
 Z1TLNR#ANR129010	Valve and Lockshield - ValCOLOR Copper Angle 1/2" RAL 9010 Glossy Pure White	€
 Z1RAC#R12CRO	2 copper unions diam. 12 mm for ValCOLOR Chrome finish Valve+Lockshield	€
 ZRCF2#	Kit with CHROME-PLATED pipe collars	€

# COLUMN CL35 VERTICAL SINGLE

Price for items with standard connectors. VAT and transport costs not included.



Thermal yield  $\Delta T$  50°C - Watts per radiator

Height		50		60		70		80		90		100		120	
N° elements	Width (cm)	Watts $\Delta T$ 50°C	Price (€)	Watts $\Delta T$ 50°C	Price (€)	Watts $\Delta T$ 50°C	Price (€)	Watts $\Delta T$ 50°C	Price (€)	Watts $\Delta T$ 50°C	Price (€)	Watts $\Delta T$ 50°C	Price (€)	Watts $\Delta T$ 50°C	Price (€)
4	14,0	104		122		139		156		174		191		225	
5	17,5	130		152		174		195		217		239		281	
6	21,0	157		183		209		235		260		286		337	
7	24,5	183		214		244		274		304		334		393	
8	28,0	209		244		278		313		347		382		450	
9	31,5	235		275		313		352		391		429		506	
10	35,0	261		305		348		391		434		477		562	
11	38,5	287		336		383		430		477		525		618	
12	42,0	313		366		418		469		521		572		674	
13	45,5	339		397		452		508		564		620		731	
14	49,0	365		427		487		547		608		668		787	
15	52,5	392		458		522		587		651		716		843	
16	56,0	418		488		557		626		694		763		899	
17	59,5	444		519		592		665		738		811		955	
18	63,0	470		549		626		704		781		859		1012	
19	66,5	496		580		661		743		825		906		1068	
20	70,0	522		610		696		782		868		954		1124	
21	73,5	548		641		731		821		911		1002		1180	
22	77,0	574		671		766		860		955		1049		1236	
23	80,5	600		702		800		899		998		1097		1293	
24	84,0	626		732		835		938		1042		1145		1349	
25	87,5	653		763		870		978		1085		1193		1405	
26	91,0	679		793		905		1017		1128		1240		1461	
27	94,5	705		824		940		1056		1172		1288		1517	
28	98,0	731		854		974		1095		1215		1336		1574	
29	101,5	757		885		1009		1134							
30	105,0	783		915		1044		1173							
31	108,5	809		946		1079		1212							
32	112,0	835		976		1114		1251							
33	115,5	861		1007		1148		1290							
34	119,0	887		1037		1183		1329							
35	122,5	914		1068		1218		1369							
36	126,0	940		1098		1253		1408							
37	129,5	966		1129		1288		1447							
38	133,0	992		1159		1322		1486							
39	136,5	1018		1190		1357		1525							
40	140,0	1044		1220		1392		1564							
41	143,5	1070		1251		1427		1603							
42	147,0	1096		1281		1462		1642							
43	150,5	1122		1312		1496		1681							
44	154,0	1148		1342		1531		1720							
45	157,5	1175		1373		1566		1760							
46	161,0	1201		1403		1601		1799							
47	164,5	1227		1434		1636		1838							
48	168,0	1253		1464		1670		1877							
49	171,5	1279		1495		1705		1916							
50	175,0	1305		1525		1740		1955							

Height		140		160		180		200		220		250	
N° elements	Width (cm)	Watts $\Delta T$ 50°C	Price (€)	Watts $\Delta T$ 50°C	Price (€)	Watts $\Delta T$ 50°C	Price (€)	Watts $\Delta T$ 50°C	Price (€)	Watts $\Delta T$ 50°C	Price (€)	Watts $\Delta T$ 50°C	Price (€)
4	14,0	259		293		328		363		398		452	
5	17,5	324		366		410		454		498		565	
6	21,0	388		440		491		544		597		678	
7	24,5	453		513		573		635		697		791	
8	28,0	518		586		655		726		796		904	
9	31,5	582		660		737		816		896		1017	
10	35,0	647		733		819		907		995		1130	
11	38,5	712		806		901		998		1095		1243	
12	42,0	776		880		983		1088		1194		1356	
13	45,5	841		953		1065		1179		1294		1469	
14	49,0	906		1026		1147		1270		1393		1582	
15	52,5	971		1100		1229		1361		1493		1695	
16	56,0	1035		1173		1310		1451		1592		1808	
17	59,5	1100		1246		1392		1542		1692		1921	
18	63,0	1165		1319		1474		1633		1791		2034	
19	66,5	1229		1393		1556		1723		1891		2147	
20	70,0	1294		1466		1638		1814		1990		2260	
21	73,5	1359		1539		1720		1905		2090		2373	
22	77,0	1423		1613		1802		1995		2189		2486	
23	80,5	1488		1686		1884		2086		2289		2599	
24	84,0	1553		1759		1966		2177		2388		2712	
25	87,5	1618		1833		2048		2268		2488		2825	
26	91,0	1682		1906		2129		2358		2587		2938	
27	94,5	1747		1979		2211		2449		2687		3051	
28	98,0	1812		2052		2293		2540		2786		3164	

# COLUMN CL35D VERTICAL DOUBLE

The COLUMN CL35 models are radiators made of steel (with low carbon content) with flat elements perpendicular to the manifold, size 35x11 mm.

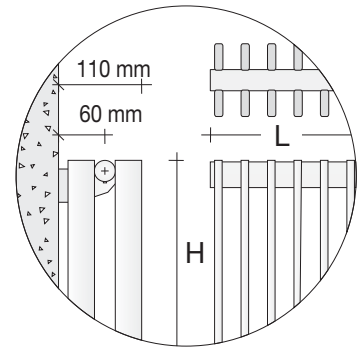


## ORDER EXAMPLE

To correctly order this model follow the example specified below:

<b>PRODUCT</b>	<b>CL35D#200 018 L1D ST 9010</b>
CL35D#200 018	Article code composed of Model, Height (200) and Number of elements (018)
L1D	Connector code found in the table here below
ST	Standard Support code found in the table here below
9010	Colour code found in the TUBES COLOUR CHART
<b>ACCESSORIES</b>	
Z1TLNR#AN R12 9010	Valve and Lockshield - Copper angle 1/2" for copper pipes or multi-layer pipes - White RAL 9010
Z1RAC#R12CRO	12mm diam. copper pipe unions for Valve+Lockshield - chrome finish (2)

For other types of Valves see the table below or those on pages 217 - 218 - 219 - 220.



## CONNECTORS

The radiators are always supplied "L1D" connectors as shown in the table here below.

If different connectors are required with strictly indicate this in the order. **IMPORTANT:** the connectors of towel warmers and radiators connected to the same system should all have the same configuration otherwise operating problems could occur.

### Standard connectors

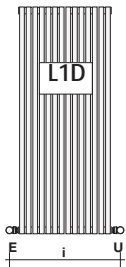
Will be supplied if not otherwise specified when placing the order

### Connectors on request

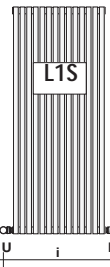
Supplied on request WITHOUT an additional price charge

### Custom-made connectors

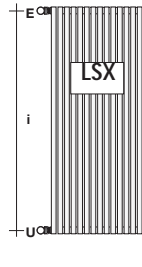
Supplied on request WITH an additional price charge of € (NOT available in chrome-plated version)



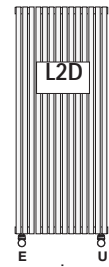
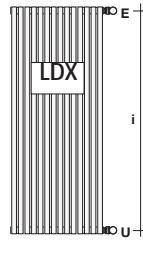
Inter-axis  
I=L+8,8 cm



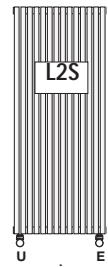
Inter-axis  
I=L+8,8 cm



Inter-axis  
I=H-4,0 cm



Inter-axis  
I=L-7,0 cm



E = Inlet (valve position)  
U = Outlet (lockshield position)  
I = Inter-axis between connectors

## SUPPORTS

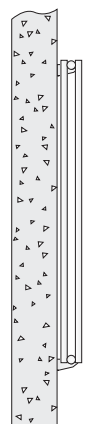
The radiators are supplied with standard supports (code ST) that include the wall fixing shelves and the manual vent Valve.

On request they can be ordered with bracket supports that are permanently welded on the towel warmers and therefore must be specified when placing the order, their code and cost are as follows:

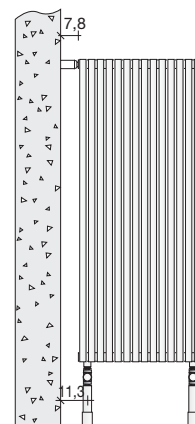
- code MD WALL TYPE bracket support on the Right €
- code MS WALL TYPE bracket support on the Left €
- code SO CEILING TYPE bracket support €

### LIMITS

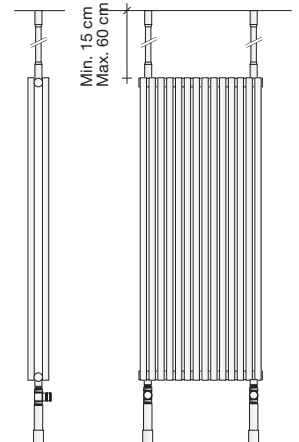
- WALL TYPE bracket support Width max 45.5 cm
- CEILING TYPE bracket support Width max 59.5 cm



Standard WALL type support (ST code)



WALL TYPE bracket support (MD code wall on right) (MS code wall on left)



CEILING TYPE bracket support (SO code)

## ADDITIONAL COLOUR CHARGE (see the official Tubes Colour Chart)

Additional colour charges are calculated over the Pure white price (Cat. C0), for the other categories the additional charges herein below are applicable:

Category C1 and C2 +10%

C3 Category +20%

RAL not included in the colour chart +30%

According to samples Request feasibility and cost estimate

## Standard VALVES (for Valves and Lockshields, valves that can be fitted with thermostat, Thermostatic valves, or Single pipe, Twin pipe, Stainless steel and thermostatic heads see pages 217 - 218 - 219 - 220)

code	Description	Price
Z1TLNR#ANR129010	Valve and Lockshield - ValCOLOR Copper Angle 1/2" RAL 9010 Glossy Pure White	€
Z1RAC#R12CRO	2 copper unions diam. 12 mm for ValCOLOR Chrome finish Valve+Lockshield	€
ZRCF2#	Kit with CHROME-PLATED pipe collars	€

# COLUMN CL35D VERTICAL DOUBLE

Price for items with standard connectors. VAT and transport costs not included.



Thermal yield  $\Delta T$  50°C - Watts per radiator

Height		50		60		70		80		90		100		120	
N° elements	Width (cm)	Watts $\Delta T$ 50°C	Price (€)	Watts $\Delta T$ 50°C	Price (€)	Watts $\Delta T$ 50°C	Price (€)	Watts $\Delta T$ 50°C	Price (€)	Watts $\Delta T$ 50°C	Price (€)	Watts $\Delta T$ 50°C	Price (€)	Watts $\Delta T$ 50°C	Price (€)
4	14,0	169		198		227		255		282		308		358	
5	17,5	211		248		284		319		353		385		448	
6	21,0	253		298		341		383		422		462		536	
7	24,5	295		347		397		446		493		539		627	
8	28,0	338		397		454		510		563		616		715	
9	31,5	380		446		511		574		634		693		805	
10	35,0	422		496		568		638		704		770		894	
11	38,5	464		546		624		701		774		847		983	
12	42,0	506		595		681		765		845		924		1073	
13	45,5	549		645		738		829		915		1001		1162	
14	49,0	591		694		795		893		986		1078		1252	
15	52,5	633		744		851		956		1056		1155		1341	
16	56,0	675		794		908		1020		1126		1232		1430	
17	59,5	717		843		965		1084		1197		1309		1520	
18	63,0	760		893		1022		1148		1267		1386		1609	
19	66,5	802		942		1078		1211		1338		1463		1699	
20	70,0	844		992		1135		1275		1408		1540		1788	
21	73,5	886		1042		1192		1339		1478		1617		1877	
22	77,0	928		1091		1249		1403		1549		1694		1967	
23	80,5	971		1141		1305		1466		1619		1771		2056	
24	84,0	1013		1190		1362		1530		1690		1848		2146	
25	87,5	1055		1240		1419		1594		1760		1925		2235	
26	91,0	1097		1290		1476		1658		1830		2002		2324	
27	94,5	1139		1339		1532		1721		1901		2079		2414	
28	98,0	1182		1389		1589		1785		1971		2156		2503	
29	101,5	1224		1438		1646		1849							
30	105,0	1266		1488		1703		1913							
31	108,5	1308		1538		1759		1976							
32	112,0	1350		1587		1816		2040							
33	115,5	1393		1637		1873		2104							
34	119,0	1435		1686		1930		2168							
35	122,5	1477		1736		1986		2231							
36	126,0	1519		1786		2043		2295							
37	129,5	1561		1835		2100		2359							
38	133,0	1604		1885		2157		2423							
39	136,5	1646		1934		2213		2486							
40	140,0	1688		1984		2270		2550							
41	143,5	1730		2034		2327		2614							
42	147,0	1772		2083		2384		2678							
43	150,5	1815		2133		2440		2741							
44	154,0	1857		2182		2497		2805							
45	157,5	1899		2232		2554		2869							
46	161,0	1941		2282		2611		2933							
47	164,5	1983		2331		2667		2996							
48	168,0	2026		2381		2724		3060							
49	171,5	2068		2430		2781		3124							
50	175,0	2110		2480		2838		3188							

Height		140		160		180		200		220		250	
N° elements	Width (cm)	Watts $\Delta T$ 50°C	Price (€)	Watts $\Delta T$ 50°C	Price (€)	Watts $\Delta T$ 50°C	Price (€)	Watts $\Delta T$ 50°C	Price (€)	Watts $\Delta T$ 50°C	Price (€)	Watts $\Delta T$ 50°C	Price (€)
4	14,0	404		448		492		532		568		620	
5	17,5	505		560		615		665		710		775	
6	21,0	606		672		738		798		852		930	
7	24,5	707		784		861		931		994		1085	
8	28,0	808		896		984		1064		1136		1240	
9	31,5	909		1008		1107		1197		1278		1395	
10	35,0	1010		1120		1230		1330		1420		1550	
11	38,5	1111		1232		1353		1463		1562		1705	
12	42,0	1212		1344		1476		1596		1704		1860	
13	45,5	1313		1456		1599		1729		1846		2015	
14	49,0	1414		1568		1722		1862		1988		2170	
15	52,5	1515		1680		1845		1995		2130		2325	
16	56,0	1616		1792		1968		2128		2272		2480	
17	59,5	1717		1904		2091		2261		2414		2635	
18	63,0	1818		2016		2214		2394		2556		2790	
19	66,5	1919		2128		2337		2527		2698		2945	
20	70,0	2020		2240		2460		2660		2840		3100	
21	73,5	2121		2352		2583		2793		2982		3255	
22	77,0	2222		2464		2706		2926		3124		3410	
23	80,5	2323		2576		2829		3059		3266		3565	
24	84,0	2424		2688		2952		3192		3408		3720	
25	87,5	2525		2800		3075		3325		3550		3875	
26	91,0	2626		2912		3198		3458		3692		4030	
27	94,5	2727		3024		3321		3591		3834		4185	
28	98,0	2828		3136		3444		3724		3976		4340	

# COLUMN CL70 VERTICAL SINGLE

The COLUMN CL70 models are radiators made of steel (with low carbon content) with flat elements perpendicular to the manifold, size 70x11 mm.

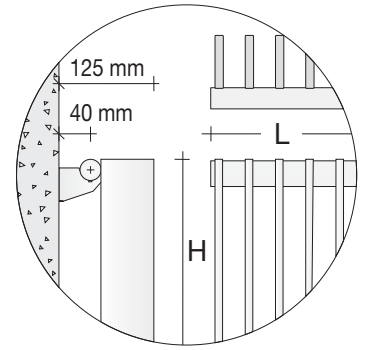


## ORDER EXAMPLE

To correctly order this model follow the example specified below:

<b>PRODUCT</b>	<b>CL70#200 018 L1D ST 9010</b>
CL70#200 018	Article code composed of Model, Height (200) and Number of elements (018)
L1D	Connector code found in the table here below
ST	Standard Support code found in the table here below
9010	Colour code found in the TUBES COLOUR CHART
<b>ACCESSORIES</b>	
Z1TLNR#AN R12 9010	Valve and Lockshield - Copper angle 1/2" for copper pipes or multi-layer pipes - White RAL 9010
Z1RAC#R12CRO	12mm diam. copper pipe unions for Valve+Lockshield - chrome finish (2)

For other types of Valves see the table below or those on pages 217 - 218 - 219 - 220.



## CONNECTORS

The radiators are always supplied "L1D" connectors as shown in the table here below.

If different connectors are required with strictly indicate this in the order. **IMPORTANT:** the connectors of towel warmers and radiators connected to the same system should all have the same configuration otherwise operating problems could occur.

### Standard connectors

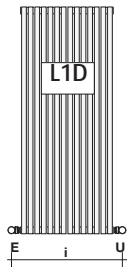
Will be supplied if not otherwise specified when placing the order

### Connectors on request

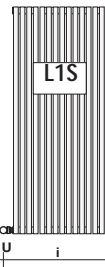
Supplied on request WITHOUT an additional price charge

### Custom-made connectors

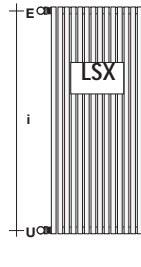
Supplied on request WITH an additional price charge of € (NOT available in chrome-plated version)



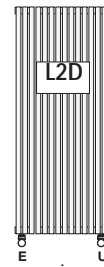
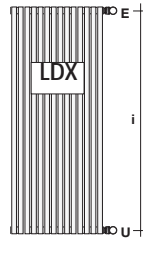
Inter-axis  
I=L+8,8 cm



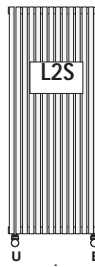
Inter-axis  
I=L+8,8 cm



Inter-axis  
I=H-4,0 cm



Inter-axis  
I=L-8,0 cm



E = Inlet (valve position)  
U = Outlet (lockshield position)  
I = Inter-axis between connectors

## SUPPORTS

The radiators are supplied with standard supports (code ST) that include the wall fixing shelves and the manual vent Valve.

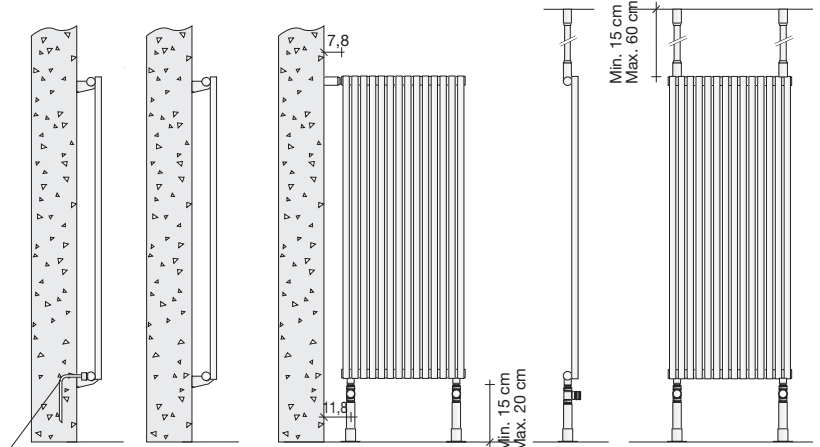
On request they can be ordered with bracket supports that are permanently welded on the towel warmers and therefore must be specified when placing the order, their code and cost are as follows:

- code MD WALL TYPE bracket support on the Right €
- code MS WALL TYPE bracket support on the Left €
- code SO CEILING TYPE bracket support €

### LIMITS

- WALL TYPE bracket support Width max 44.0 cm
- CEILING TYPE bracket support Width max 60.0 cm

The Chrome plated version cannot be supplied with bracket supports



Connection to the Remote Valve Assembly (GVR) with connection B2R

Standard WALL type support (ST code)

WALL TYPE bracket support (MD code wall on right) (MS code wall on left)

CEILING TYPE bracket support (SO code)

## ADDITIONAL COLOUR CHARGE (see the official Tubes Colour Chart)

Additional colour charges are calculated over the Pure white price (Cat. C0), for the other categories the additional charges herein below are applicable:

Category C1 and C2 +10%

C3 Category +20%

RAL not included in the colour chart +30%

According to samples Request feasibility and cost estimate

## Standard VALVES (for Valves and Lockshields, valves that can be fitted with thermostat, Thermostatic valves, or Single pipe, Twin pipe, Stainless steel and thermostatic heads see pages 217 - 218 - 219 - 220)

	code	Description	Price
	Z1TLNR#ANR129010	Valve and Lockshield - ValCOLOR Copper Angle 1/2" RAL 9010 Glossy Pure White	€
	Z1RAC#R12CRO	2 copper unions diam. 12 mm for ValCOLOR Chrome finish Valve+Lockshield	€
	ZRCF2#	Kit with CHROME-PLATED pipe collars	€

# COLUMN CL70 VERTICAL SINGLE

Price for items with standard connectors. VAT and transport costs not included.



Thermal yield  $\Delta T$  50°C - Watts per radiator

Height		50		60		70		80		90		100		120	
N° elements	Width (cm)	Watts $\Delta T$ 50°C	Price (€)	Watts $\Delta T$ 50°C	Price (€)	Watts $\Delta T$ 50°C	Price (€)	Watts $\Delta T$ 50°C	Price (€)	Watts $\Delta T$ 50°C	Price (€)	Watts $\Delta T$ 50°C	Price (€)	Watts $\Delta T$ 50°C	Price (€)
4	16,0	153		178		203		228		252		276		325	
5	20,0	191		223		254		285		315		345		406	
6	24,0	229		268		305		341		378		415		487	
7	28,0	267		312		355		398		441		484		568	
8	32,0	306		357		406		455		504		553		650	
9	36,0	344		401		457		512		567		622		731	
10	40,0	382		446		508		569		630		691		812	
11	44,0	420		491		558		626		693		760		893	
12	48,0	458		535		610		683		756		829		974	
13	52,0	497		580		660		740		819		898		1056	
14	56,0	535		624		711		797		882		967		1137	
15	60,0	573		669		762		854		945		1037		1218	
16	64,0	611		714		813		910		1008		1106		1299	
17	68,0	649		758		864		967		1071		1175		1380	
18	72,0	688		803		914		1024		1134		1244		1462	
19	76,0	726		847		965		1081		1197		1313		1543	
20	80,0	764		892		1016		1138		1260		1382		1624	
21	84,0	802		937		1067		1195		1323		1451		1705	
22	88,0	840		981		1118		1252		1386		1520		1786	
23	92,0	879		1026		1168		1309		1449		1589		1868	
24	96,0	917		1070		1219		1366		1512		1658		1949	
25	100,0	955		1115		1270		1423							
26	104,0	993		1160		1321		1479							
27	108,0	1031		1204		1372		1536							
28	112,0	1070		1249		1422		1593							
29	116,0	1108		1293		1473		1650							
30	120,0	1146		1338		1524		1707							
31	124,0	1184		1383		1575		1764							
32	128,0	1222		1427		1626		1821							
33	132,0	1261		1472		1676		1878							
34	136,0	1299		1516		1727		1935							
35	140,0	1337		1561		1778		1992							
36	144,0	1375		1606		1829		2048							
37	148,0	1413		1650		1880		2105							
38	152,0	1452		1695		1930		2162							
39	156,0	1490		1739		1981		2219							
40	160,0	1528		1784		2032		2276							

Height		140		160		180		200		220		250	
N° elements	Width (cm)	Watts $\Delta T$ 50°C	Price (€)	Watts $\Delta T$ 50°C	Price (€)	Watts $\Delta T$ 50°C	Price (€)	Watts $\Delta T$ 50°C	Price (€)	Watts $\Delta T$ 50°C	Price (€)	Watts $\Delta T$ 50°C	Price (€)
4	16,0	373		420		472		520		572		648	
5	20,0	466		525		590		650		715		810	
6	24,0	560		630		708		780		858		972	
7	28,0	653		735		826		910		1001		1134	
8	32,0	746		840		944		1040		1144		1296	
9	36,0	839		945		1062		1170		1287		1458	
10	40,0	933		1050		1180		1300		1430		1620	
11	44,0	1026		1155		1298		1430		1573		1782	
12	48,0	1120		1260		1416		1560		1716		1944	
13	52,0	1213		1365		1534		1690		1859		2106	
14	56,0	1306		1470		1652		1820		2002		2268	
15	60,0	1400		1575		1770		1950		2145		2430	
16	64,0	1493		1680		1888		2080		2288		2592	
17	68,0	1586		1785		2006		2210		2431		2754	
18	72,0	1679		1890		2124		2340		2574		2916	
19	76,0	1773		1995		2242		2470		2717		3078	
20	80,0	1866		2100		2360		2600		2860		3240	
21	84,0	1959		2205		2478		2730		3003		3402	
22	88,0	2053		2310		2596		2860		3146		3564	
23	92,0	2146		2415		2714		2990		3289		3726	
24	96,0	2239		2520		2832		3120		3432		3888	

# COLUMN CL70D VERTICAL DOUBLE

The COLUMN CL70 models are radiators made of steel (with low carbon content) with flat elements perpendicular to the manifold, size 70x11 mm.

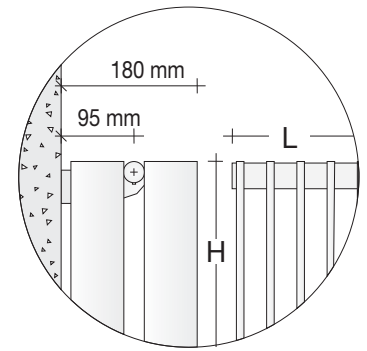


## ORDER EXAMPLE

To correctly order this model follow the example specified below:

<b>PRODUCT</b>	<b>CL70D#200 018 L1D ST 9010</b>
CL70D#200 018	Article code composed of Model, Height (200) and Number of elements (018)
L1D	Connector code found in the table here below
ST	Standard Support code found in the table here below
9010	Colour code found in the TUBES COLOUR CHART
<b>ACCESSORIES</b>	
Z1TLNR#AN R12 9010	Valve and Lockshield - Copper angle 1/2" for copper pipes or multi-layer pipes - White RAL 9010
Z1RAC#R12CRO	12mm diam. copper pipe unions for Valve+Lockshield - chrome finish (2)

For other types of Valves see the table below or those on pages 217 - 218 - 219 - 220.



## CONNECTORS

The radiators are always supplied "L1D" connectors as shown in the table here below.

If different connectors are required with strictly indicate this in the order. **IMPORTANT:** the connectors of towel warmers and radiators connected to the same system should all have the same configuration otherwise operating problems could occur.

### Standard connectors

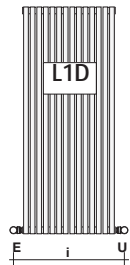
Will be supplied if not otherwise specified when placing the order

### Connectors on request

Supplied on request **WITHOUT** an additional price charge

### Custom-made connectors

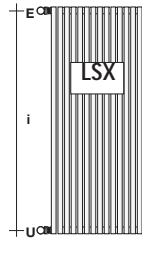
Supplied on request **WITH** an additional price charge of € (NOT available in chrome-plated version)



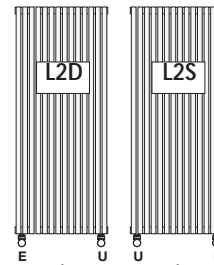
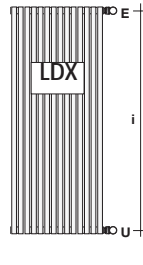
Inter-axis  
I=L+8,8 cm



Inter-axis  
I=L+8,8 cm



Inter-axis  
I=H-4,0 cm



Inter-axis  
I=L-8,0 cm

E = Inlet (valve position)  
U = Outlet (lockshield position)  
I = Inter-axis between connectors

## SUPPORTS

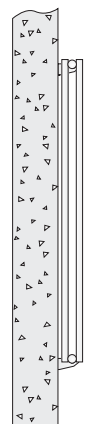
The radiators are supplied with standard supports (code ST) that include the wall fixing shelves and the manual vent Valve.

On request they can be ordered with bracket supports that are permanently welded on the towel warmers and therefore must be specified when placing the order, their code and cost are as follows:

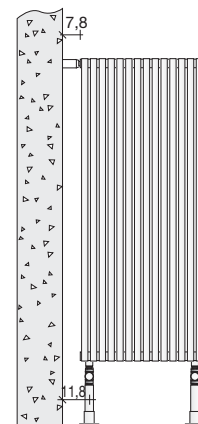
code MD	WALL TYPE bracket support on the Right	€
code MS	WALL TYPE bracket support on the Left	€
code SO	CEILING TYPE bracket support	€

### LIMITS

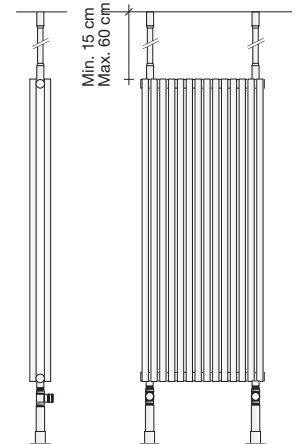
WALL TYPE bracket support	Width max 44.0 cm
CEILING TYPE bracket support	Width max 60.0 cm



Standard WALL type support (ST code)



WALL TYPE bracket support (MD code wall on right) (MS code wall on left)



CEILING TYPE bracket support (SO code)

## ADDITIONAL COLOUR CHARGE (see the official Tubes Colour Chart)

Additional colour charges are calculated over the Pure white price (Cat. C0), for the other categories the additional charges herein below are applicable:

Category C1 and C2	+10%
C3 Category	+20%
RAL not included in the colour chart	+30%
According to samples	Request feasibility and cost estimate

## Standard VALVES (for Valves and Lockshields, valves that can be fitted with thermostat, Thermostatic valves, or Single pipe, Twin pipe, Stainless steel and thermostatic heads see pages 217 - 218 - 219 - 220)

code	Description	Price
Z1TLNR#ANR129010	Valve and Lockshield - ValCOLOR Copper Angle 1/2" RAL 9010 Glossy Pure White	€
Z1RAC#R12CRO	2 copper unions diam. 12 mm for ValCOLOR Chrome finish Valve+Lockshield	€
ZRCF2#	Kit with CHROME-PLATED pipe collars	€

# COLUMN CL70D VERTICAL DOUBLE

Price for items with standard connectors. VAT and transport costs not included.



Thermal yield  $\Delta T$  50°C - Watts per radiator

Height		50		60		70		80		90		100		120	
N° elements	Width (cm)	Watts $\Delta T$ 50°C	Price (€)	Watts $\Delta T$ 50°C	Price (€)	Watts $\Delta T$ 50°C	Price (€)	Watts $\Delta T$ 50°C	Price (€)	Watts $\Delta T$ 50°C	Price (€)	Watts $\Delta T$ 50°C	Price (€)	Watts $\Delta T$ 50°C	Price (€)
4	16,0	261		304		347		389		432		472		556	
5	20,0	326		380		434		486		540		590		695	
6	24,0	392		457		520		583		648		708		834	
7	28,0	457		533		607		680		756		826		973	
8	32,0	522		609		694		778		864		944		1112	
9	36,0	587		685		780		875		972		1062		1251	
10	40,0	653		761		867		972		1080		1180		1390	
11	44,0	718		837		954		1069		1188		1298		1529	
12	48,0	784		913		1040		1166		1296		1416		1668	
13	52,0	849		989		1127		1264		1404		1534		1807	
14	56,0	914		1065		1214		1361		1512		1652		1946	
15	60,0	980		1142		1301		1458		1620		1770		2085	
16	64,0	1045		1218		1387		1555		1728		1888		2224	
17	68,0	1110		1294		1474		1652		1836		2006		2363	
18	72,0	1175		1370		1561		1750		1944		2124		2502	
19	76,0	1241		1446		1647		1847		2052		2242		2641	
20	80,0	1306		1522		1734		1944		2160		2360		2780	
21	84,0	1371		1598		1821		2041		2268		2478		2919	
22	88,0	1437		1674		1907		2138		2376		2596		3058	
23	92,0	1502		1750		1994		2236		2484		2714		3197	
24	96,0	1567		1826		2081		2333		2592		2832		3336	
25	100,0	1633		1903		2168		2430							
26	104,0	1698		1979		2254		2527							
27	108,0	1763		2055		2341		2624							
28	112,0	1828		2131		2428		2722							
29	116,0	1894		2207		2514		2819							
30	120,0	1959		2283		2601		2916							
31	124,0	2024		2359		2688		3013							
32	128,0	2090		2435		2774		3110							
33	132,0	2155		2511		2861		3208							
34	136,0	2220		2587		2948		3305							
35	140,0	2286		2664		3035		3402							
36	144,0	2351		2740		3121		3499							
37	148,0	2416		2816		3208		3596							
38	152,0	2481		2892		3295		3694							
39	156,0	2547		2968		3381		3791							
40	160,0	2612		3044		3468		3888							

Height		140		160		180		200		220		250	
N° elements	Width (cm)	Watts $\Delta T$ 50°C	Price (€)	Watts $\Delta T$ 50°C	Price (€)	Watts $\Delta T$ 50°C	Price (€)	Watts $\Delta T$ 50°C	Price (€)	Watts $\Delta T$ 50°C	Price (€)	Watts $\Delta T$ 50°C	Price (€)
4	16,0	636		720		804		888		976		1104	
5	20,0	795		900		1005		1110		1220		1380	
6	24,0	954		1080		1206		1332		1464		1656	
7	28,0	1113		1260		1407		1554		1708		1932	
8	32,0	1272		1440		1608		1776		1952		2208	
9	36,0	1431		1620		1809		1998		2196		2484	
10	40,0	1590		1800		2010		2220		2440		2760	
11	44,0	1749		1980		2211		2442		2684		3036	
12	48,0	1908		2160		2412		2664		2928		3312	
13	52,0	2067		2340		2613		2886		3172		3588	
14	56,0	2226		2520		2814		3108		3416		3864	
15	60,0	2385		2700		3015		3330		3660		4140	
16	64,0	2544		2880		3216		3552		3904		4416	
17	68,0	2703		3060		3417		3774		4148		4692	
18	72,0	2862		3240		3618		3996		4392		4968	
19	76,0	3021		3420		3819		4218		4636		5244	
20	80,0	3180		3600		4020		4440		4880		5520	
21	84,0	3339		3780		4221		4662		5124		5796	
22	88,0	3498		3960		4422		4884		5368		6072	
23	92,0	3657		4140		4623		5106		5612		6348	
24	96,0	3816		4320		4824		5328		5856		6624	