



Bathtubs Cartesio  
**AVAS0987Z\_0**

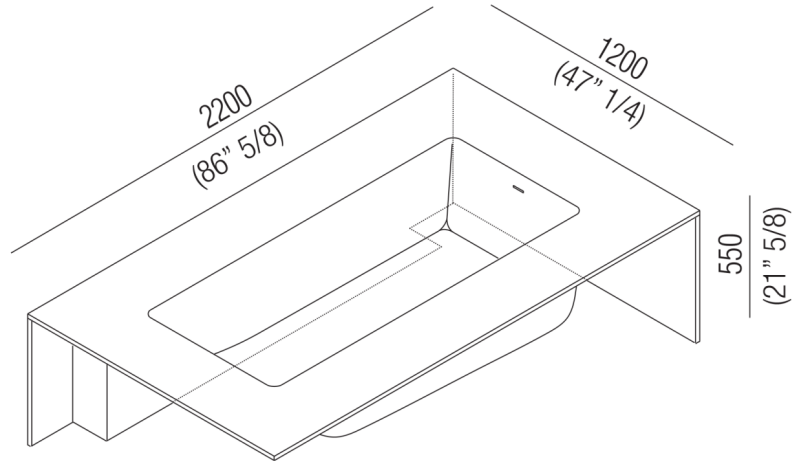
Benedini Associati, 2009

Corner bathtub, edges cm 27 (10" 5/8). Side panel with storage compartments and drain side panel

**Finishes**



Cristalplant® white  
**AVAS0987Z\_0**

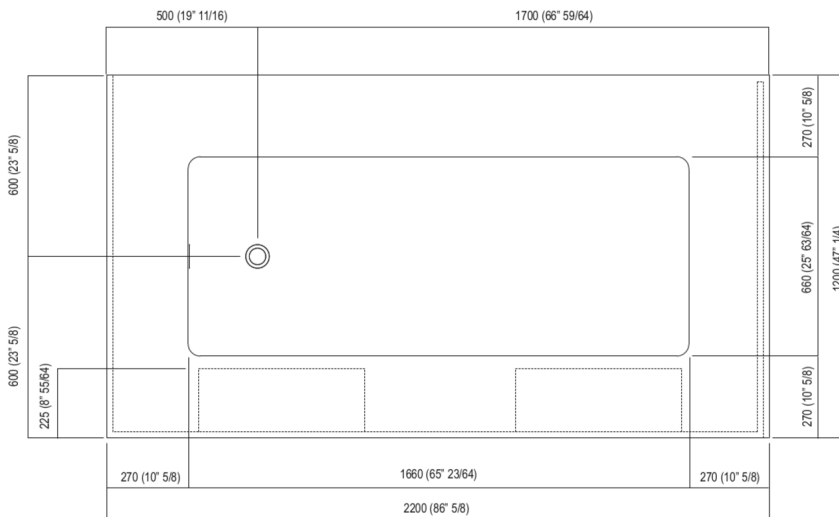
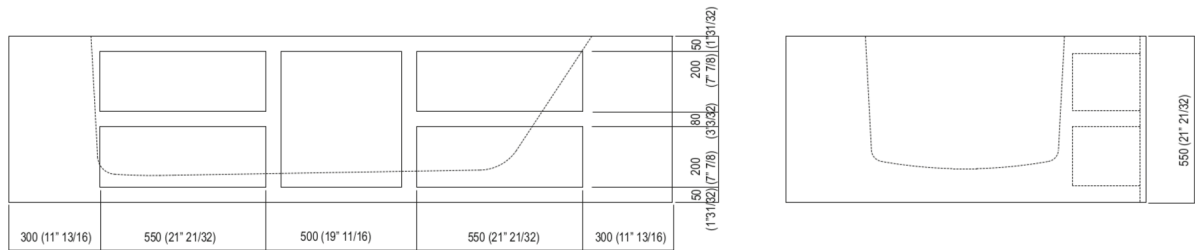


Rectangular bathtub in white Cristalplant® with overflow hole. Tap units may be placed on the edge of the bathtub, on the wall, on the floor or on Agape column Pillar or pillar 2. Water supply from the inside of bathtub is possible too. Models for freestanding, corner, niche or built-in installations. The bathtub internal measures are 166 x 66 cm (65" 3/8 x 26") and its edges have a maximum width of 27 cm (10" 5/8). However, other measurements are also available (minimum width: 5 cm - 2"). The minimum width to install the tapware on the edge of the tub or an internal water supply is 15 cm (5" 7/8). In addition to the shown configurations, several variations are possible. It is mandatory to use waste trap .MET0477 (.MET0434 for bathtubs on display). For an easier installation of the bathtubs we recommend to use the template for the positioning of the waste trap AKITPZVAS.  
 Materials used: Cristalplant®.

Height:	55.0 cm	21" 5/8 inches
Depth:	120.0 cm	47" 1/4 inches
Lenght:	220.0 cm	86" 5/8 inches
Capacity:	306.0 l	81 gal
Weight:	210.0 kg	463 lbs
Packaging measurements:	135 x 235 x 68 cm	53"1/8 x 92"4/8 x 26"6/8 inches
Weight with packaging:	270.0 kg	594 lbs

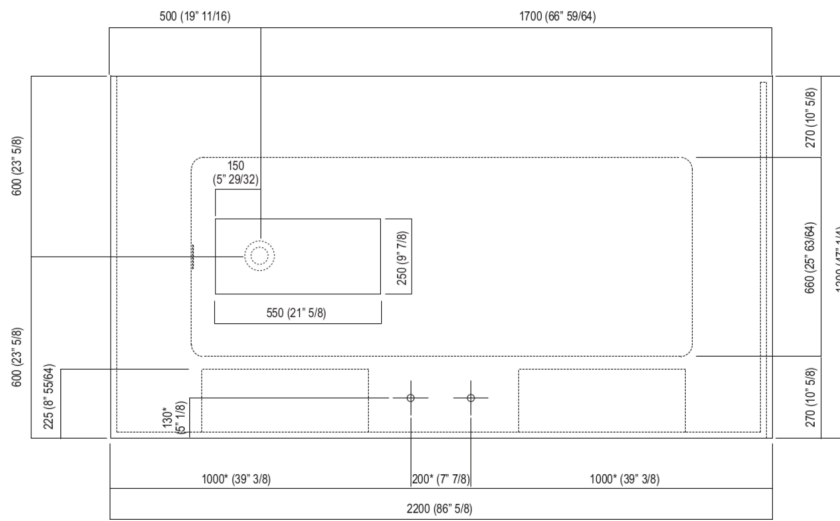


Main dimensions



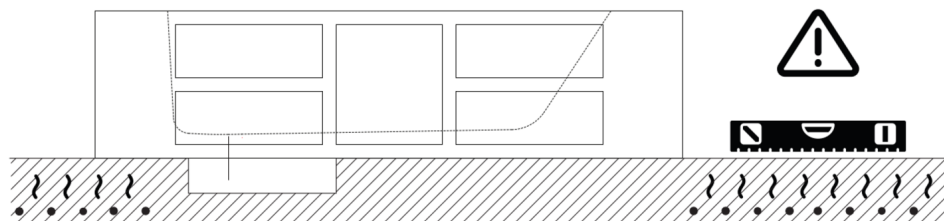


Elevation for recess and water supply connection for bath rim tap



\* quote indicative / approximate dimensions

La rubinetteria a bordo vasca e l'erogazione interna possono essere essere inserite su tutti i bordi con spessore minimo di cm 15  
 The bath rim tap and the internal water supply can be placed on all rims with minimum thickness of 15 cm (5" 7/8)



La vasca deve essere installata su un pavimento perfettamente piano.  
The bathtub must be positioned on a flat floor surface.

E' necessario predisporre a pavimento un pozzetto.  
It is necessary to prepare a recess in the floor.

Evitare di realizzare impianti di riscaldamento nell'area sottostante la vasca.  
Avoid the installation of floor heating plants in the area under the bathtub.