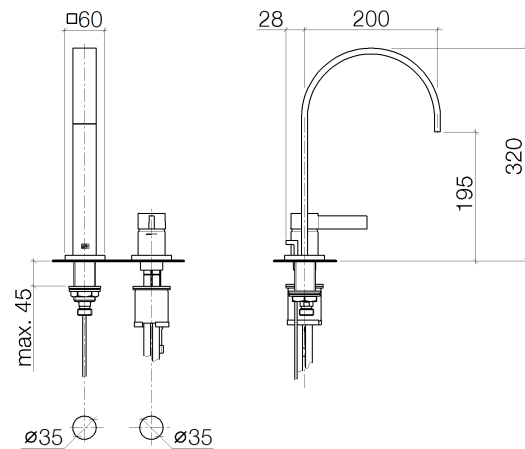




Product specifications

- **200 mm projection**
- fixed spout
- Aerator 32 x 8
- height of mixer 320 mm
- bore-hole single-lever mixer \varnothing 35 mm
- height up to aerator 202 mm
- cartridge with ceramic discs
- 1x M 10 x 1/2" screw-in high pressure hose
- 2x M 10 x 1 screw-in high pressure hose
- **1 1/4" pop-up waste**
- Max. flow 8 l/min
- lead-free
- individual rosettes 60 x 60 mm

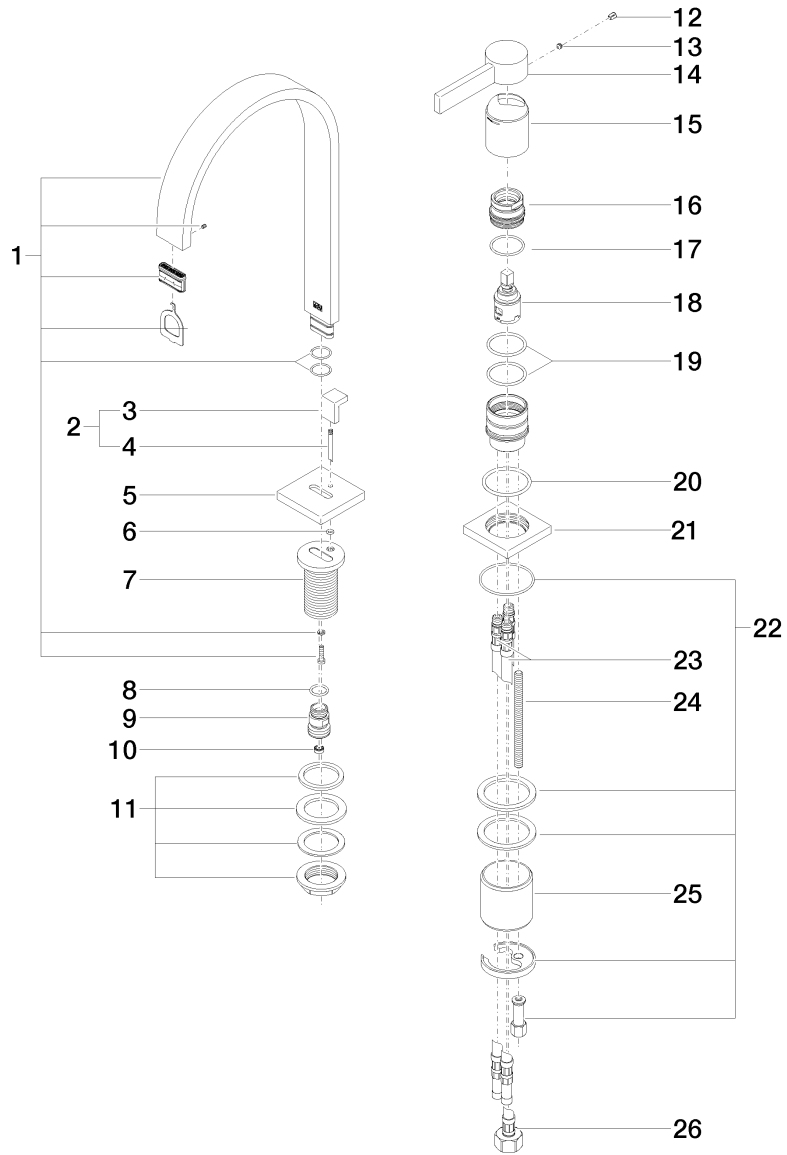




Surfaces

- chrome 32515782-00
- platinum matt 32515782-06
- platinum 32515782-08
- Cyprum 32515782-49

Exploded assembly drawing



27 ——— Abba/Spamix 0411.01.001.00-#

Order quantity

No.	Article number	Name	Installation quantity
1	90282215500ff	spout	1
2	04207803080ff	pull-rod	1
3	092078030ff	handle	1
4	093109080ff	pull-rod	1
5	092778032ff	rosette	1
6	09141016690	seal	1
7	0911100541090	connection	1
8	09141013090	seal	1
9	0924031041090	nipple	1
10	09230105290	flow reducer	1
11	0423100090190	fixing set	1
12	09312001790	plug	1
13	09311106390	pin	1
14	092078057ff	handle	1
15	091102289ff	cover	1
16	09240428890	nut	1
17	09141013790	seal	1
18	9015050420090	cartridge	1
19	09141019290	seal	2
20	09141006790	seal	1
21	092778040ff	rosette	1
22	0430110380290	fixing set	1
23	0430040160090	hose	2
24	09311101290	pin	1
25	09184007990	sleeve	1
26	0430040190090	hose	1
27	04110100100ff	pop-up waste	1

Flow rate chart

