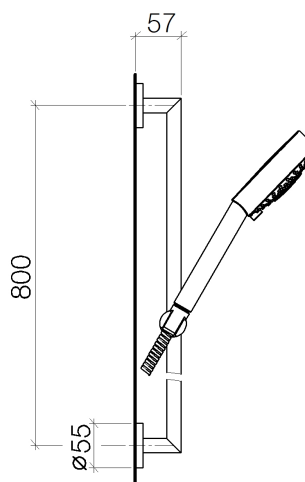




Product specifications

- hand shower with three settings with anti-scale system
- 3/8" x 1/2" x 1750 mm shower hose with turning cone
- rosette \varnothing 55 mm
- slide bar
- Max. flow 7.6 l/min
- gauge 800 mm

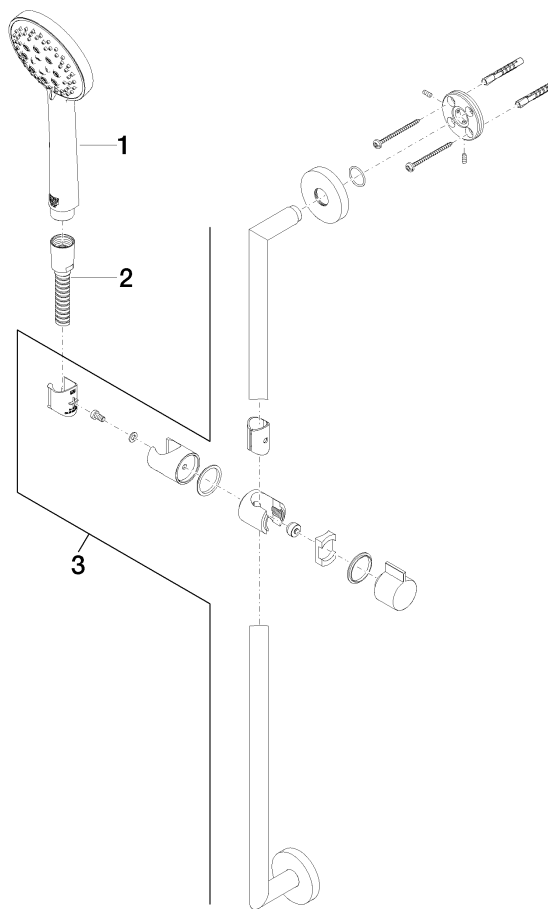
Only for combination with 33 200 625-FF / 33 300 625-FF / 34 200 979-FF / 34 440 979-FF / 28 450 625-FF



Surfaces

- | | |
|-----------------|-------------|
| • chrome | 26403625-00 |
| • platinum matt | 26403625-06 |

Exploded assembly drawing





Order quantity

No.	Article number	Name	Installation quantity
1	28014979ff	shower	1
3	28322970ff	hose	1
3	26701625ff	shower set	1

Flow rate chart

