

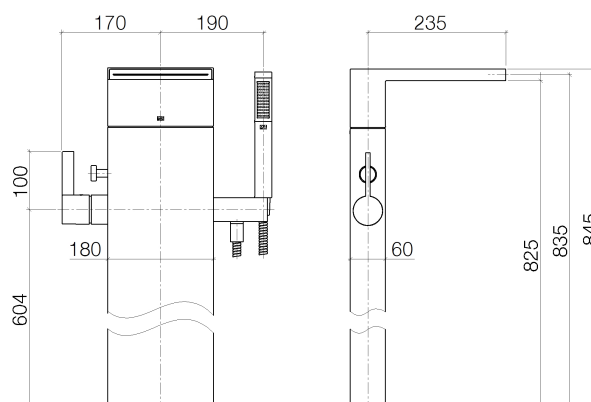


Product specifications

Exposed trim parts

- **235 mm projection**
- Jet regulator 17 x 174 mm
- total height 845 mm
- Height up to single-lever mixer 604 mm
- height up to aerator 835 mm
- Max. flow 20 l/min
- Max. hand shower flow 7.6 l/min

The stand pipe is white



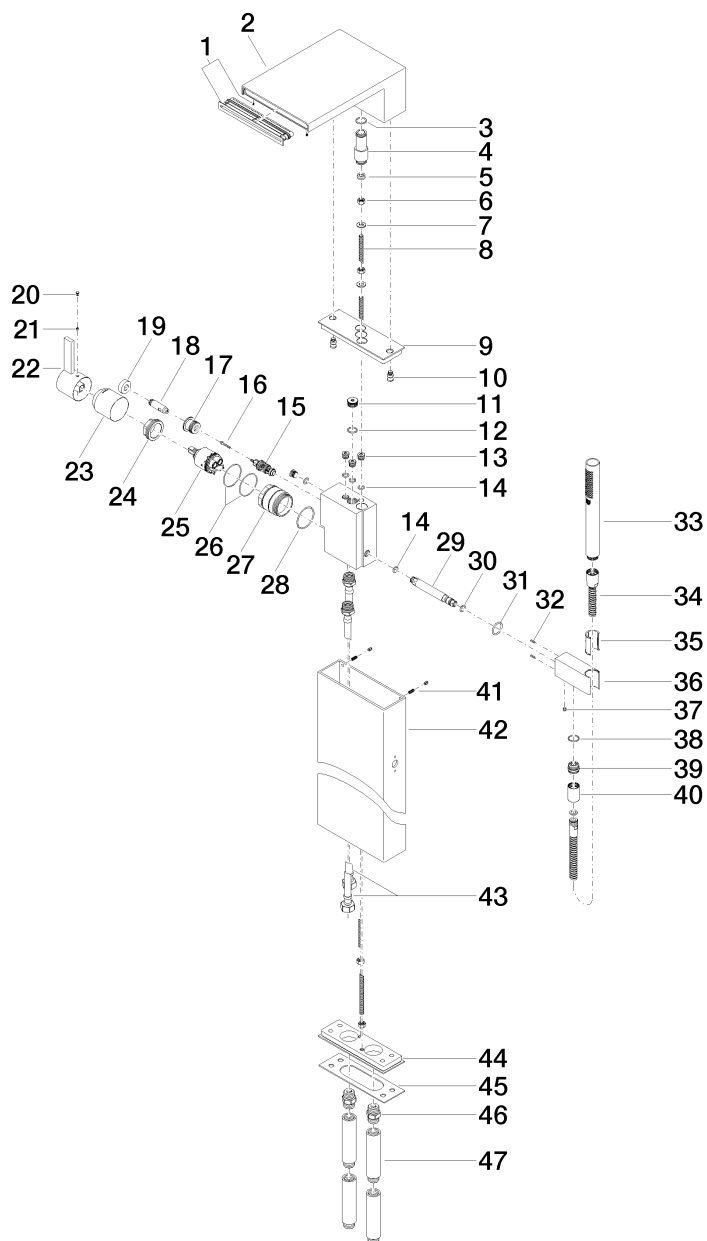
Surfaces

- chrome 25964979-00
- platinum matt 25964979-06

Accessories required

- Floor fastening; 3594897090

Exploded assembly drawing

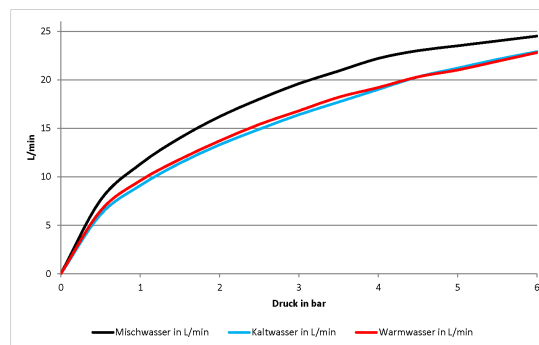


Order quantity

No.	Article number	Name	Installation quantity
1	9029030590090	insert	1
2	091174040ff	spout	1
3	09141001090	seal	2
4	09240325190	nipple	1
5	09230105790	flow reducer	1
6	09231002390	nut	4
7	09301104590	disc	2
8	09306002690	bar	2
9	091102291ff	plate	1
10	09240501190	nipple	2
11	09312009890	plug	1
12	09141005590	seal	1
13	0931200391090	plug	4
14	09141013990	seal	5
15	0421340810090	diverter	1
16	09303017290	screw	1
17	091701210ff	sleeve	1
18	093109141ff	pull-rod	1
19	092078056ff	handle	1
20	09312001790	plug	3
21	09311109990	pin	1
22	092067007ff	handle	1
23	091102295ff	cover	1
24	09240444890	nut	1
25	09150503890	cartridge	1
26	09141020190	seal	2
27	09170120990	sleeve	1
28	09141021090	seal	1
29	09240324690	nipple	1

30	09141000890	seal	1
31	09141001590	seal	1
32	09311102690	pin	2
33	28013979ff	shower	1
34	093002072ff	hose	1
35	09184007890	sleeve	1
36	091103122ff	holder	1
37	09311100490	pin	1
38	09141003290	seal	1
39	092403117ff	nipple	1
40	092102069ff	cover	1
41	09311102490	pin	2
42	092822264ff	pipe	1
43	0430040490090	hose	2
44	091102290ff	plate	1
45	09140315490	seal	1
46	0924031681090	nipple	2
47	0924031691090	adaptor	4

Flow rate chart



Trajectory diagram

