

AXOR Urquiola
Bath thermostat floor-standing
 Surfaces: **Chrome** Article Number: **11422000**



Description

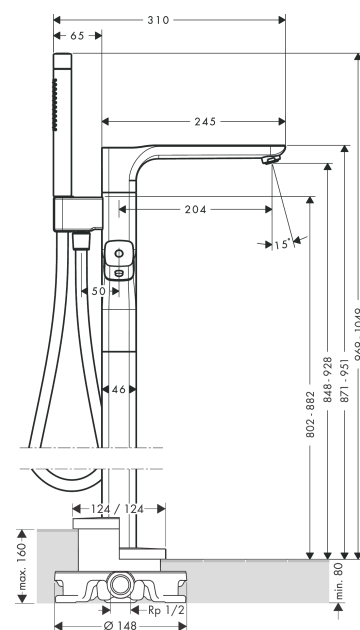
product features

- consists of: bath thermostat floor standing, baton hand shower, shower hose, shower holder
- projection 204 mm
- 2 outlets
- spray type mixer: normal spray
- spray type hand shower: Rain, MonoRain
- flow rate: 20 l/min
- thermostat cartridge, shut-off/ diverter valve
- min. operating pressure: 1 bar
- max. operating pressure: 10 bar
- safety lock at 38° C
- temperature limitation adjustable
- non-return valve
- with automatic resetting
- connection type: basic set
- connection dimension: DN15
- dirt filter included

Product image



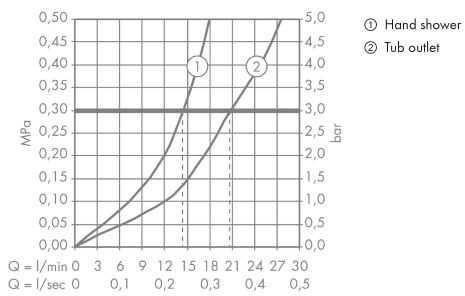
Scale drawing



AXOR Urquiola
Bath thermostat floor-standing
 Surfaces: **Chrome** Article Number: **11422000**



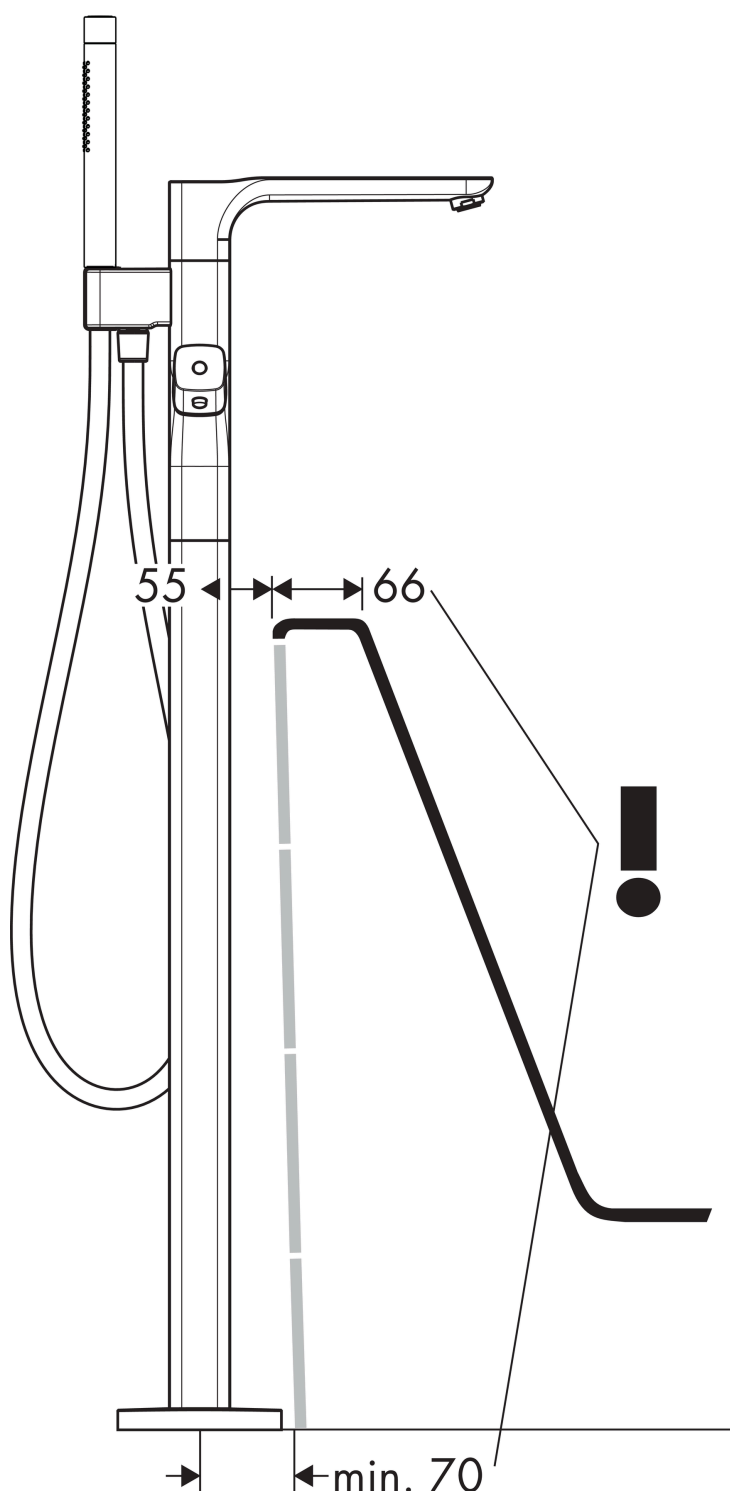
Flowchart



AXOR Urquiola
Bath thermostat floor-standing
Surfaces: **Chrome** Article Number: **11422000**



Installation examples

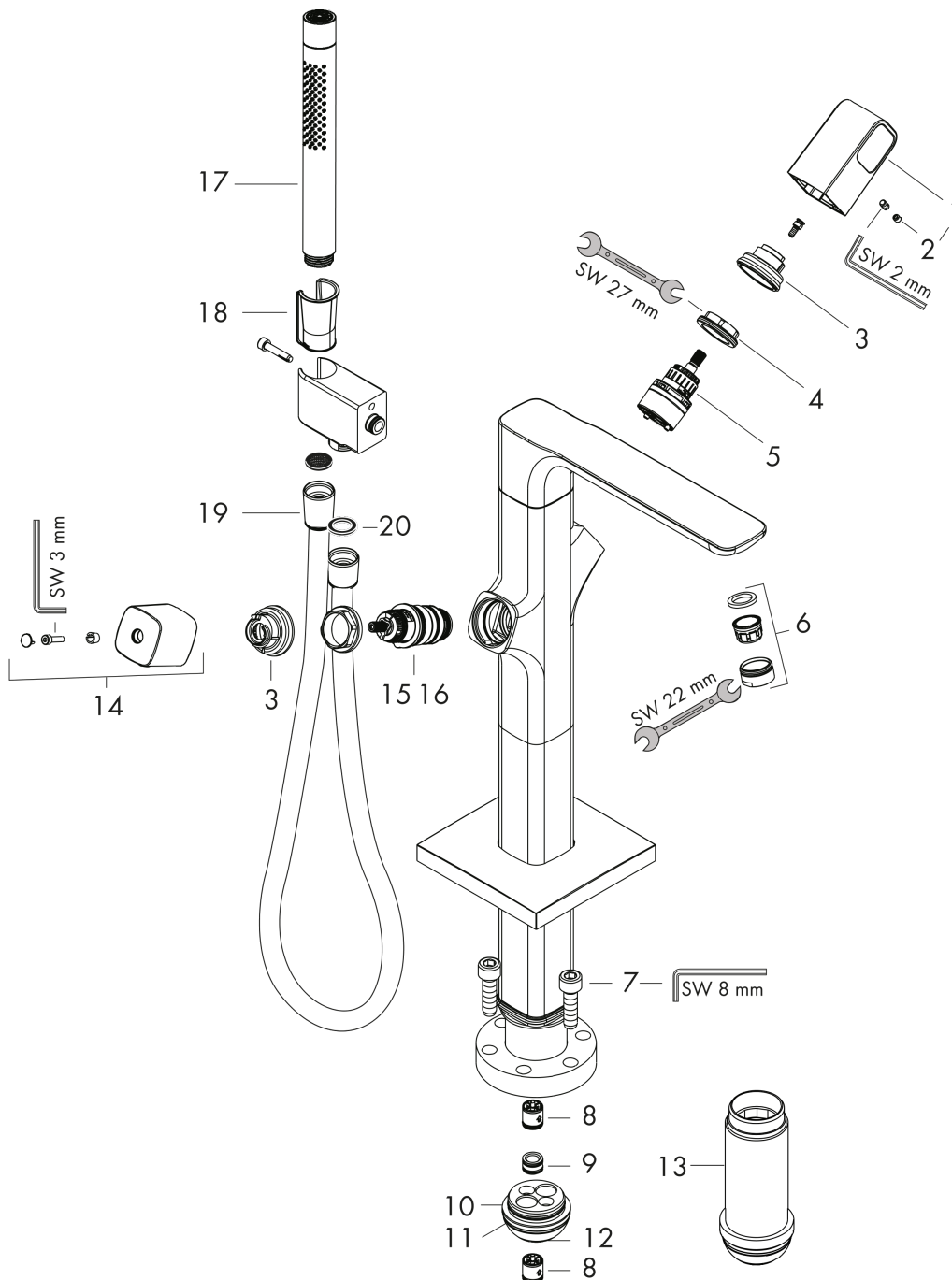


AXOR Urquiola
Bath thermostat floor-standing
 Surfaces: **Chrome** Article Number: **11422000**



Exploded Drawing

Year of production: >04/09



AXOR Urquiola
Bath thermostat floor-standing
 Surfaces: **Chrome** Article Number: **11422000**



Spare part list

Year of production: >04/09

Pos.	Description	Article Number	PC	PU
1	handle	11491000	0	1
2	screw cover	95181000	0	1
3	safety set for temperature control	98916000	0	1
4	nut	98913000	0	1
5	shut off unit with selector	98283000	0	1
6	aerator M24x1 (30 l/min)	96512000	0	1
7	hexagon socket screw M10x35	97670000	0	1
8	set of non return valves DW 15	94074000	0	1
9	O-ring 11x2	98127000	0	1
10	O-Ring 36x2,5	98190000	0	1
11	O-ring 44x2,5	98162000	0	1
12	O-ring 29x3	98371000	0	1
13	extension set 60 mm	92135000	0	1
14	handle for thermostat	11492000	0	1
15	thermostat cartridge	98282000	0	1
16	cartridge for exchanged connections	92373000	0	1
17	handshower	28532000	0	1
18	guide	92858000	0	1
19	shower hose Isiflex'B 1,25 m	28272000	0	1
20	seal	98058000	0	1
a	concealed item	10452180	0	1