

AXOR Urquiola
Single lever basin mixer 110 for hand washbasins with pop-up waste set
 Surfaces: **Chrome** Article Number: **11025000**



Description

product features

- consists of: single lever basin mixer, waste set
- ComfortZone 110
- projection 114 mm
- normal spray
- flow rate at 3 bar: 5 l/min
- ceramic cartridge
- temperature limitation adjustable
- suitable for continuous flow water heaters
- pop-up waste set G 1¼
- connection dimension: DN15

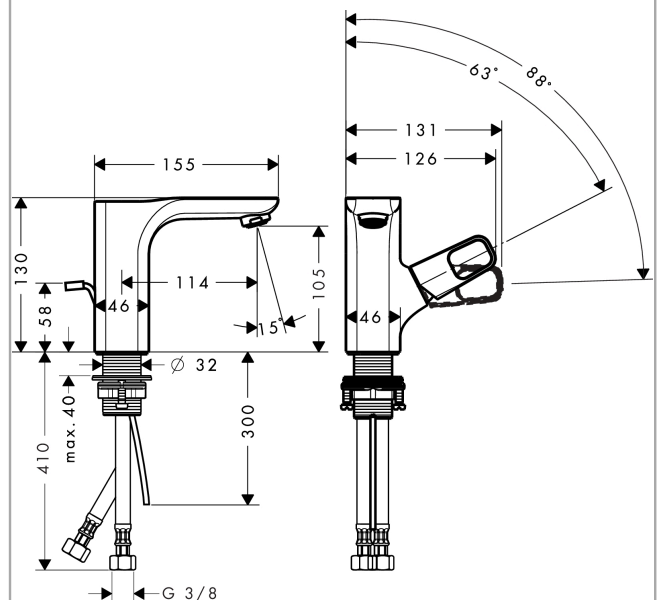
Technology



Product image



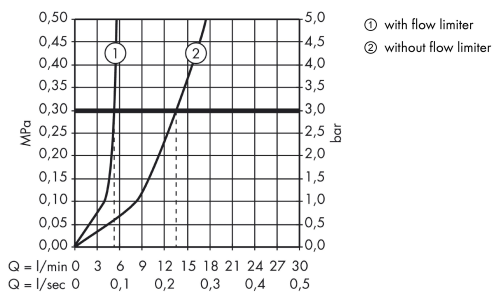
Scale drawing



AXOR Urquiola
Single lever basin mixer 110 for hand washbasins with pop-up waste set
 Surfaces: **Chrome** Article Number: **11025000**



Flowchart

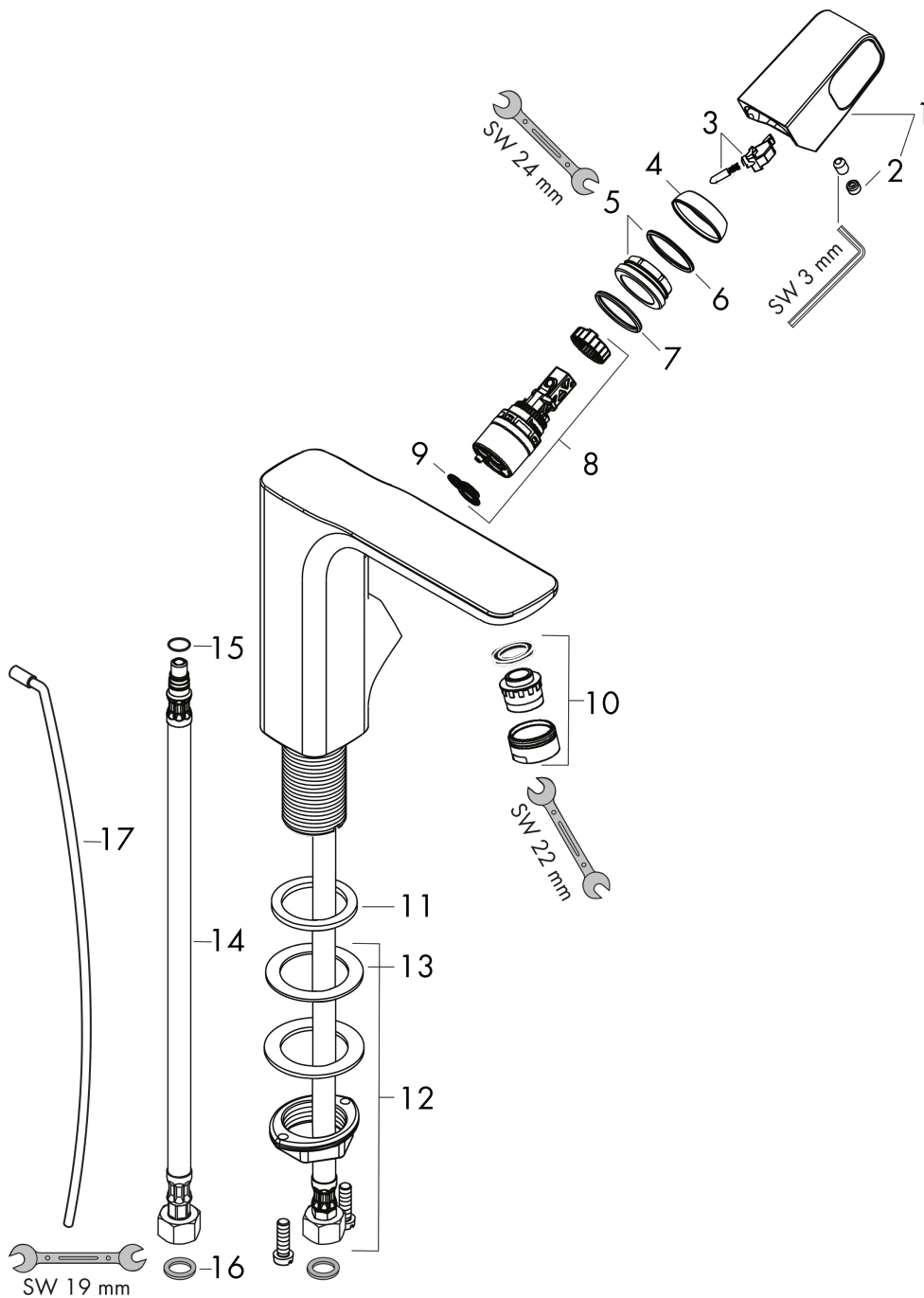


AXOR Urquiola
Single lever basin mixer 110 for hand washbasins with pop-up waste set
Surfaces: **Chrome** Article Number: **11025000**



Exploded Drawing

Year of production: >10/10



AXOR Urquiola
Single lever basin mixer 110 for hand washbasins with pop-up waste set
 Surfaces: **Chrome** Article Number: **11025000**



Spare part list

Year of production: >10/10

Pos.	Description	Article Number	PC	PU
1	handle	11093000	0	1
2	screw cover	96762000	0	1
3	flange	98863000	0	1
4	nut	95178000	0	1
5	O-Ring 22x2	98185000	0	1
6	O-ring 25x2	98389000	0	1
7	cartridge, assy	97685000	0	1
8	seal	98865000	0	1
9	aerator M24x1 (5 l/min)	13185000	0	1
10	seal	98457000	0	1
11	fixing set (Ø 32)	13961000	0	1
12	lever collar	97548000	0	1
13	connection hose 450 mm M8x0,75 G3/8	97206000	0	1
14	O-ring 7x1,5	98422000	0	1
15	pull rod	96923000	0	1
16	spring with sleeve	92462000	0	1
a	fixation extension 35 mm	13898000	0	1
b	aerator M24x1 (3,5 l/min)	92508000	0	1
c	aerator M24x1 (4,5 l/min)	92877000	0	1
d	aerator swivelling M24x1 (5 l/min)	95928000	0	1